



## TECHNICAL SPECIFICATIONS

NEO PROGRAM BY MIMBRERY

Fecha 03.05.2026

<b>COLOR PANELS</b>	SMOOTH:	02-MLSB	WHITE MATTE TEXT
		02-MLS01	ALUMINUM MATTE TEXT
		02-MLSN	BLACK MATTE TEXT
		02-MLSG2	GRAY MATTE TEXT
	WOOD:	02-MMAA	MAPLE
		02-MMAH	IS
	TRENDS:	02-MMAC*	Creamy Acacia*
		02-MMCS*	WILD CHERRY*
<b>ALUMINUM COLOR</b>		08-ANPM	ANODIZED.MATTE SILVER
		08-LA9011M	SMOOTH MATTE BLACK
		08-LA9010T	TEXTURED MATTE WHITE
		08-ANIN*	INOX CHAMPAGNE *
		08-ANINB*	STAINLESS STEEL BRIGHT*
<b>DOOR FRAME</b>	STRAIGHT - 473	(GLAZED AREAS)	
	STRAIGHT - 805	(BLIND ZONE)	
<b>INTERSECTION</b>	9mm		
<b>SCALED PANELS</b>	Edge thickness 0.4mm		
<b>RUBBER COLOR (without aluminum)</b>	Aluminum	Eraser	
	GLAZING PROFILES	04-TR	TRANSPARENT
	DOOR FRAME PROFILE	aluminum color	
		ALUMINUM: WHITE / SILVER: 04-PM	SILVER
		ALUMINUM: BLACK / STAINLESS STEEL / STAINLESS STEEL B 04-9011	BLACK
<b>LOWER BASEBOARD BLIND AREAS</b>	"U"-449		
<b>UPPER BASEBOARD BLIND AREAS</b>	"U"-802 (planimetry > 25mm visible profile 446)		
<b>STARTING WALL BLIND ZONES</b>	802 - SCREEN + BLACK / SILVER RUBBER		
<b>90° CORNER</b>	A TESTA (STD 200x200)		
	50 x 50 TUBE		
<b>3 EXITS</b>	A TESTA (STD 355x200)		
	50 x 50 TUBE		
<b>BLIND DOOR HARDWARE</b>			
	<b>HINGES:</b> Aluminum Color	Hinge Color	
	MATTE SILVER	FLAT SILVER HINGE	
	WHITE MATTE TEXT	WHITE FLAT HINGE	
	BLACK M.	BLACK FLAT HINGE	
	INOX CHAMPAGNE / GLOSS	FLAT HINGE STAINLESS STEEL	
<b>KNOB / LEVER:</b> 07-MNTU-R*	TUBULAR HANDLE "R" STAINLESS STEEL*		
	07-CERMAG	(MAGNETIC LOCK)	
<b>GLASS DOOR HARDWARE</b>	07-BISTD05INOX*	SQUARE STAINLESS STEEL HINGES*	
	07-BIPV05IN*	INOS PIVOTING HINGES*	
	07-MNTU-U05INOX*	TUBULAR "L" STAINLESS STEEL HANDLE*	
<b>FRAMED DOOR HARDWARE FROM A CRYSTAL</b>	HINGES	SAME AS BLIND DOORS	
	07-ADPENV	ADAPTER:	
	Aluminum Color	Color Adapter	
	MATTE SILVER	MATTE SILVER LACQUER	
	MATTE WHITE	MATTE WHITE	
	MATTE BLACK	MATTE BLACK	
	INOX CHAMPAGNE / GLOSS	Champagne Stainless Steel Lacquer	
07-MNTU-R*	TUBULAR HANDLE "R" STAINLESS STEEL*		
<b>FRAMED DOOR HARDWARE DOUBLE GLAZING</b>	HINGES	SAME AS BLIND DOORS	
	07-MNTU-U-IN	STAINLESS STEEL "U" TUBULAR HANDLE	

---

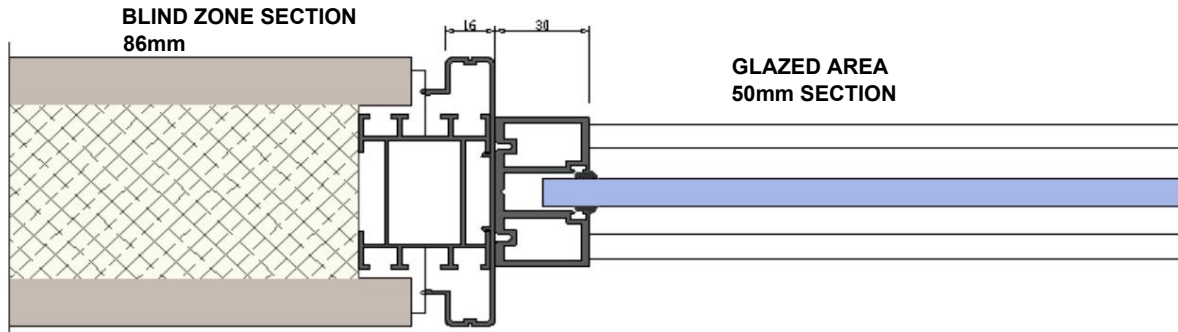
<b>SLIDING DOOR HARDWARE</b>	07-GUCOPM	MATTE SILVER SLIDING GUIDE
	07-TISTD-R	STAINLESS STEEL "R" TUBULAR HANDLE
	07-TICCE*	STAINLESS STEEL LOCKABLE HANDLE*

---

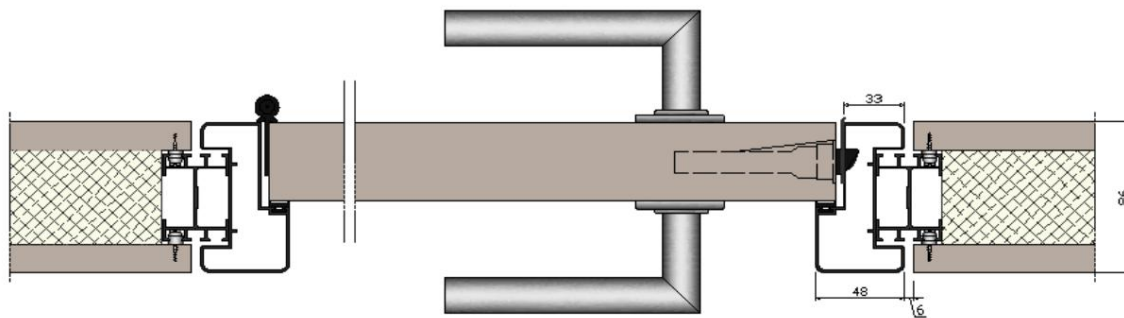
(\*) **OPTIONAL** (Please inquire about price and delivery time)

**TECHNICAL DETAILS**

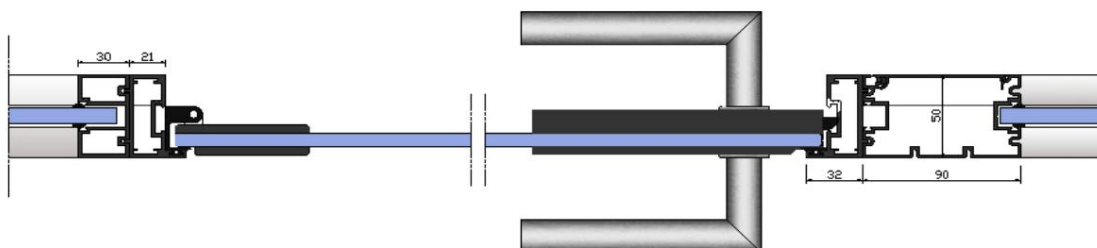
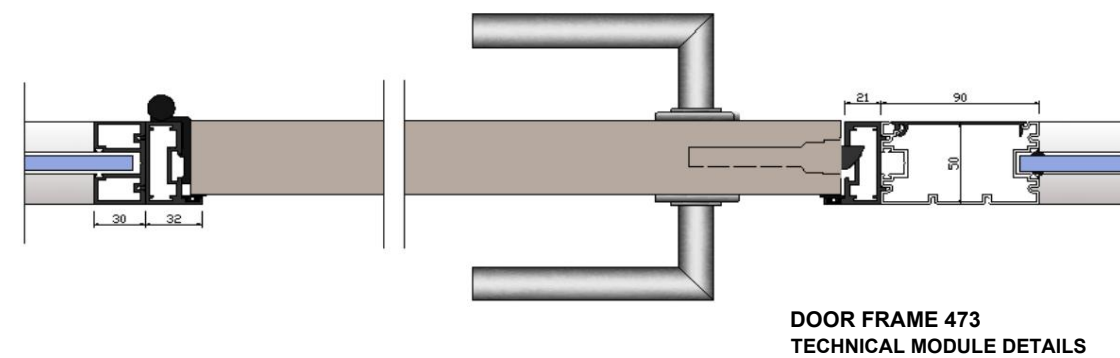
Change section blind areas / glazed areas



805 door frame for solid and glass doors in opaque areas

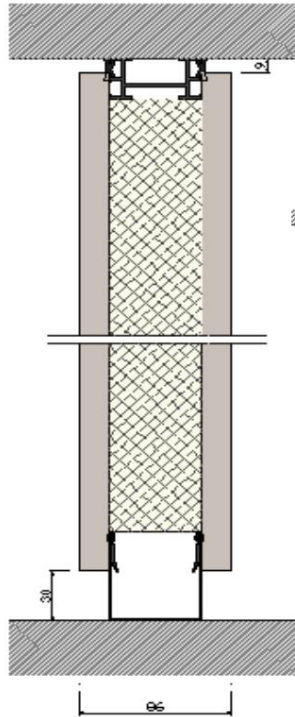


Door frame 473 for solid and glass doors in glazed areas

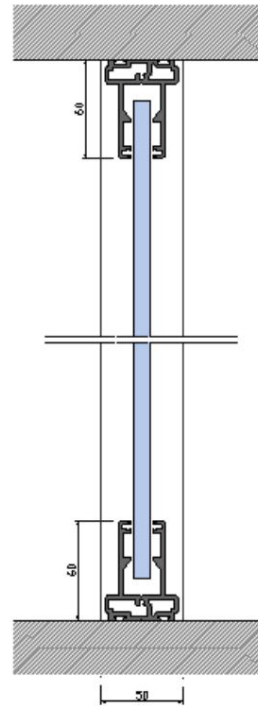


**TECHNICAL DETAILS**

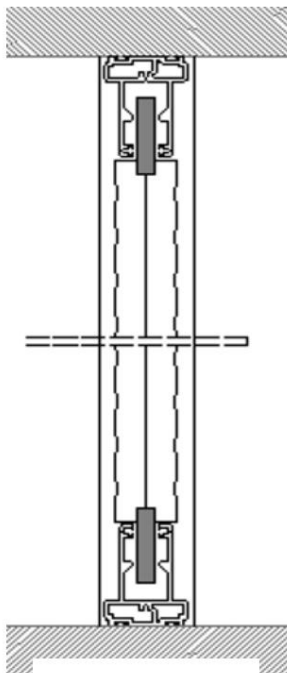
Vertical sections



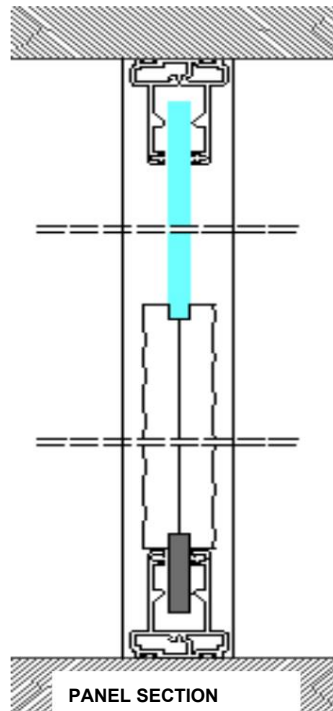
**BLIND SECTION**



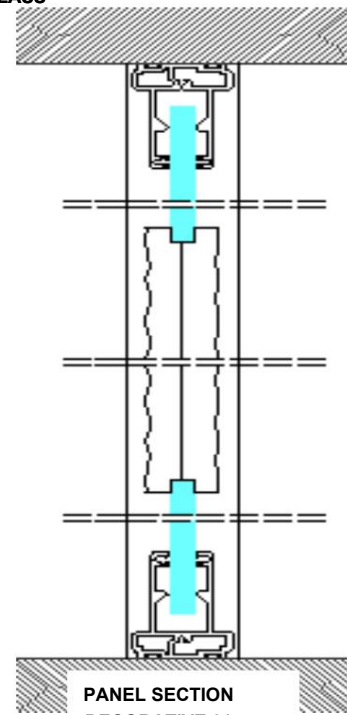
**SECTION  
GLASS**



**PANEL SECTION  
DECORATIVE 03**



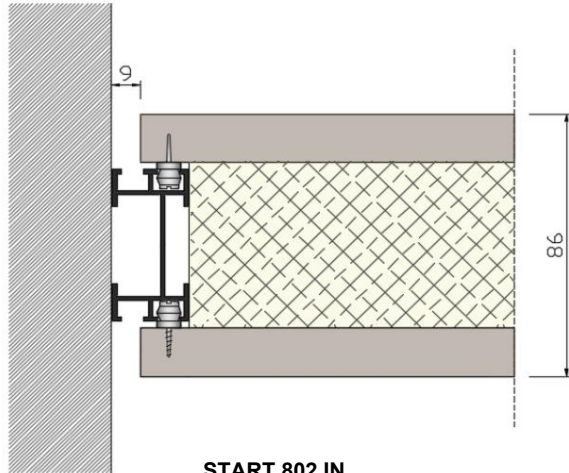
**PANEL SECTION  
DECORATIVE 02**



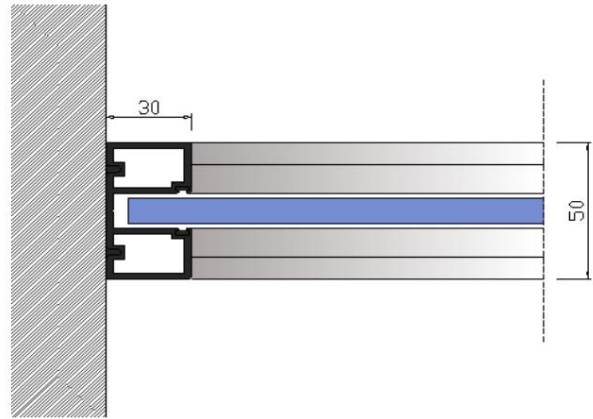
**PANEL SECTION  
DECORATIVE 01**

**TECHNICAL DETAILS**

Horizontal sections

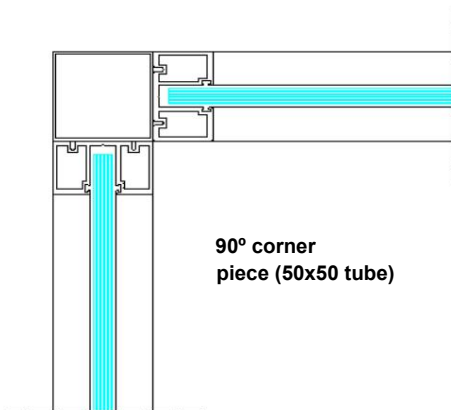


**START 802 IN  
BLIND ZONES**

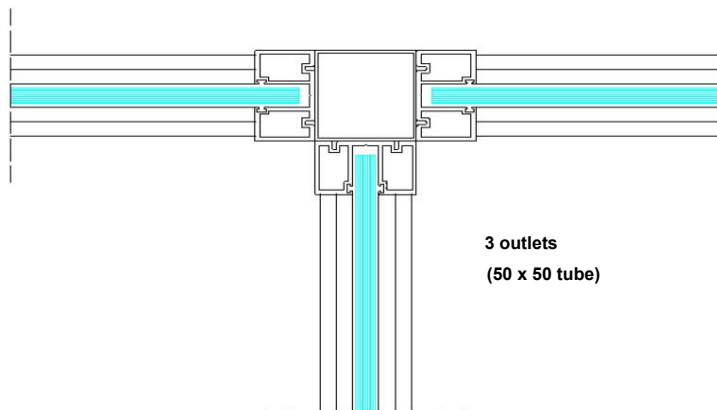


**START 471 ZONES  
GLAZED**

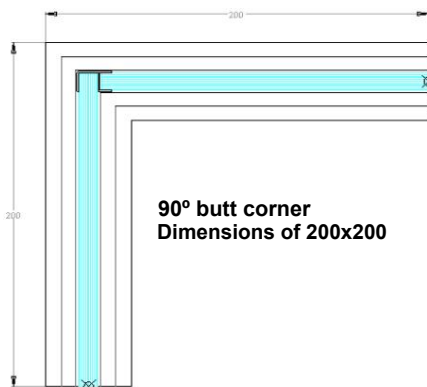
Sections set



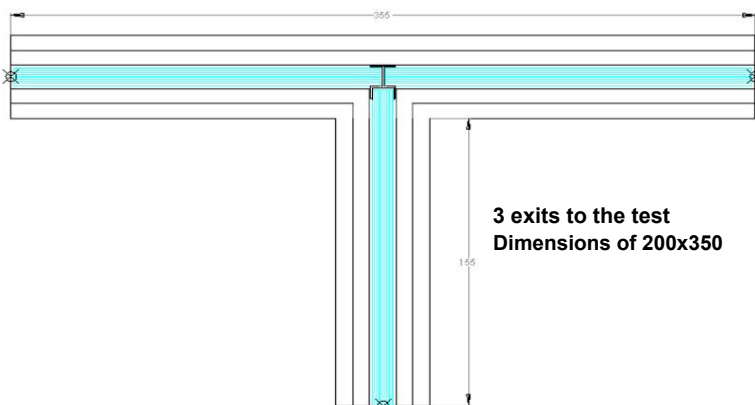
**90° corner  
piece (50x50 tube)**



**3 outlets  
(50 x 50 tube)**



**90° butt corner  
Dimensions of 200x200**



**3 exits to the test  
Dimensions of 200x350**

---

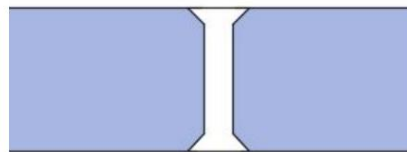
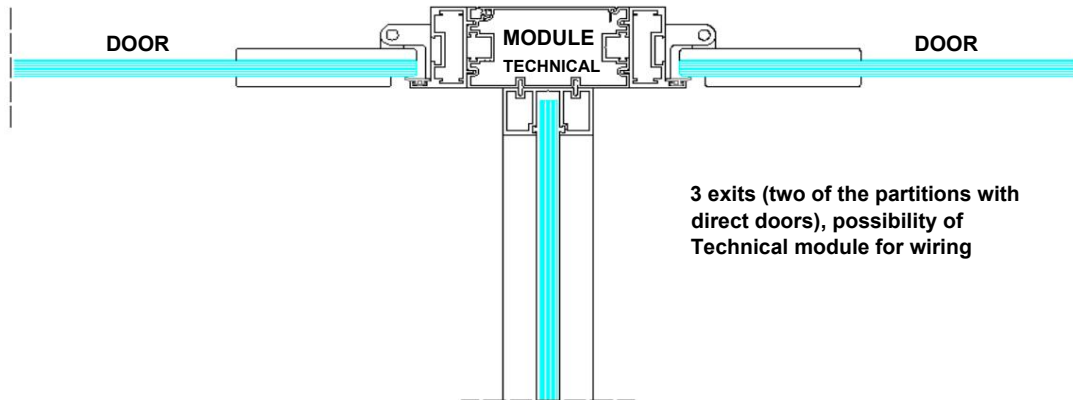
---

**TECHNICAL DETAILS**

---

Sections set

---



**FLUSH SEMI-RIGID PROFILE  
POLYMETHACRYLATE FOR  
CRYSTAL JOINTS**

STANDARD BLIND HANDLE / STAINLESS STEEL GLASS



OPTIONAL BLIND/COMPACT SILVER GLASS HANDLE\*



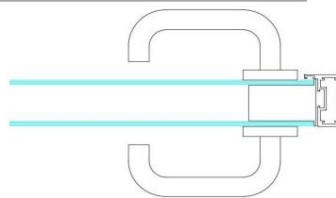
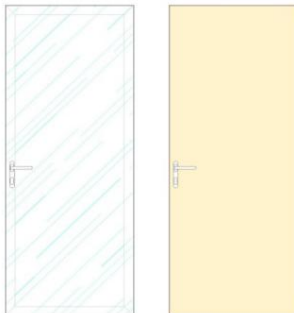
STAINLESS STEEL SQUARE HINGE



STAINLESS STEEL PIVOT HINGE OPTIONAL\*



DOUBLE GLAZED DOOR PROGRAM / ALUMINUM PROFILE PANEL \*\*\*

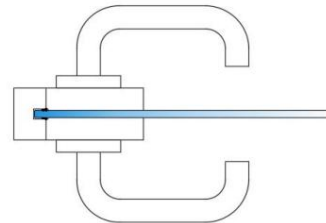
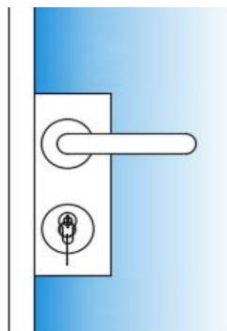


**HARDWARE:**

Flat hinges, aluminum color  
Tubular handle "U" INOX finish



Framed glass door program \*\*\*

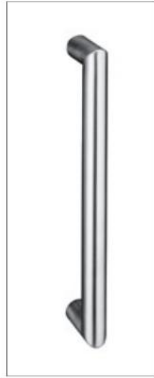


**HARDWARE:**

Flat hinges, aluminum color  
Envatech adapter, aluminum color  
SILVER tubular "U" lever  
INOX\* tubular handle "R"

(\*\*\*) Special door leaves. Please inquire about price and delivery time.

STANDARD STAINLESS STEEL TUBULAR HANDLE "R"



STAINLESS STEEL HANDLE WITH OPTIONAL LOCK\*



(\*) OPTIONAL (Please inquire about price and delivery time)

**CRYSTAL MODULE**



ENSH11

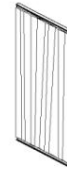
Module with no width limitation



ENPD01



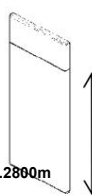
ENPD02



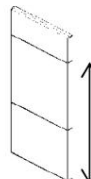
ENPD03

Modules with decorative panels, measuring 1000 wide and in height according to the project

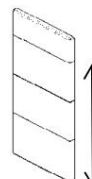
**BLIND MODULE**



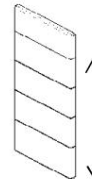
ECN02



ECN03



ECN04



ECN05

ECN01-ECN02 modules, 1000mm wide - ECN01 maximum height 2800mm

ECN03 - ECN04 - ECN05 modules, 1000 and/or 2000mm wide

Upper inter-street height (door height) 2500mm

**SINGLE-LEAF DOOR**



EPN902

max.h.2500mm



EPN903



EPN907

max.h.2750mm



EPN908

**DOUBLE-LEAF DOOR (1200mm)**



EPN1210

max.h.2500mm



EPN1211



EPN1215

max.h.2750mm



EPN1216

**DOUBLE-LEAF DOOR (1700mm)**



EPN1702  
max.h.2500mm



EPN1703



EPN1707  
max.h.2750mm



EPN1708

(\*NOTE: For door models *EPN908, EPN1216 and EP1708*, the maximum installation height is 2750mm. For higher heights, a security door is required. Please inquire about pricing.

**SINGLE LEAF SLIDING DOOR**

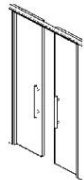


EPCN902  
max.h.2500mm

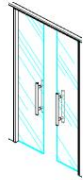


EPCN907  
max.h.2750mm

**TWO-LEAF SLIDING DOOR (1200mm)**



EPCN1202  
max.h.2500mm



EPCN1204  
max.h.2750mm

**TWO-LEAF SLIDING DOOR (1700mm)**



EPCN1702  
max.h.2500mm



EPCN1707  
max.h.2750mm

For projects with a height exceeding 3000mm, please inquire about pricing.

<b>Signed: PRODUCTION</b>	<b>Commercial Signature</b>	<b>Signed: TECHNICAL OFFICE</b>
<b>DATE</b>	<b>DATE</b>	<b>DATE</b>